



10A & 10AX Switch Modules



MINIGRID™ modules are fitted as standard into our moulded POLAR™ & MODE®, decorative DEFINITY™, DEFINE® DECO® and Metal Clad ranges. The MINIGRID™ modules are all easily and quickly exchanged or mounted onto unfurnished plates by means of a simple single screw fixing.

10A & 10AX Switch Modules

Product Range

Finish Comparison



Antique Brass (AB)



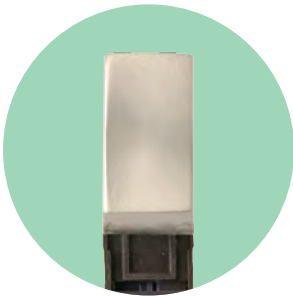
Polished Brass (BR)



Polished Chrome (CH)



Click White (WH)



Satin Chrome (SC)



Satin Brass (SB)



Black Nickel (BN)



Polar White (PW)



Pearl Nickel (PN)



Stainless Steel (SS)



Brushed Steel (BS)



Black (BK)

10A & 10AX Switch Modules

Product Range

10A Switch Modules

MD004**	10A 2 Way Retractive Switch Module
MD005**	10A 1 Way Retractive Switch Module 'Bell'
MD070**	10A 3 Position Switch Module
MD075**	10A 3 Position Retractive Switch Module



MD003BR



MD004BS



MD005PW



MD028PN

10A & 10AX Switch Modules

Product Range

10AX Switch Modules

MD001**	10AX 1 Way Switch Module
MD002**	10AX 2 Way Switch Module
MD003**	10AX 2 Way Keyswitch Module
MD009**	10AX 2 Way 'Ingot' Paddle Switch Module (Triple Width)
MD028**	10AX Intermediate Switch Module
MD029**	10AX DP Keyswitch 'Emergency Test' Module
MD038**	10AX Intermediate 'Paddle' Switch Module (Triple Width)



MD001PW



MD002BK



MD003BR



MD028PN



MD029SS



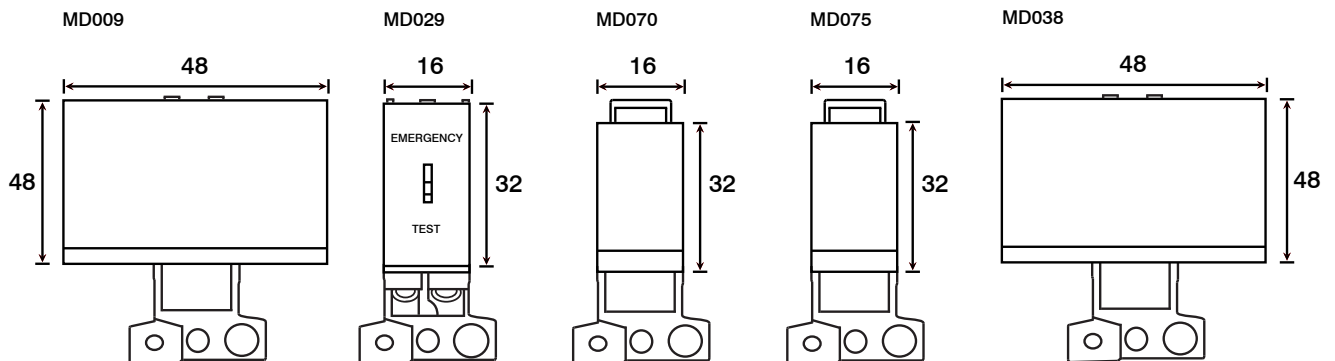
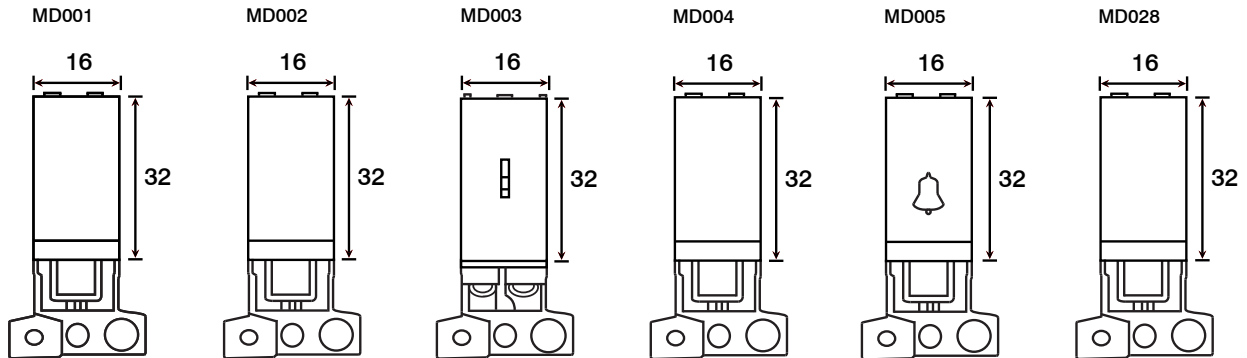
MD009AB



MD038WH

10A & 10AX Switch Modules

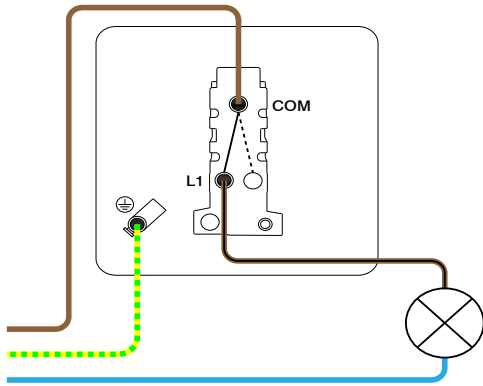
Product Dimensional Drawings (mm)



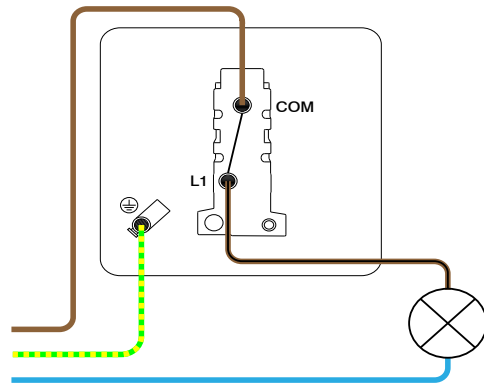
10A & 10AX Switch Modules

Wiring Diagrams

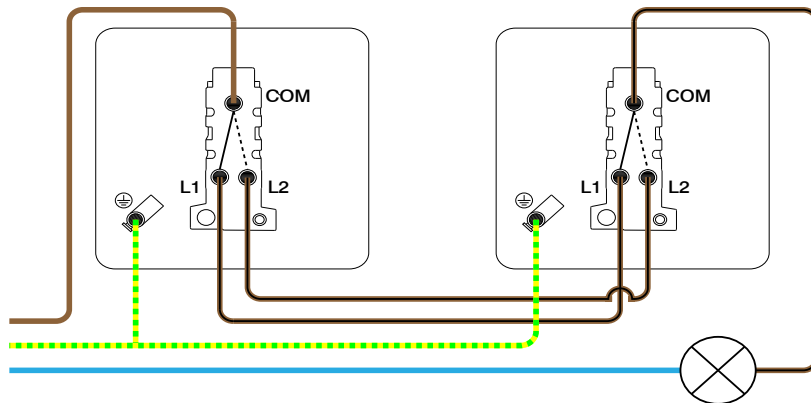
1 Way Switched Circuit



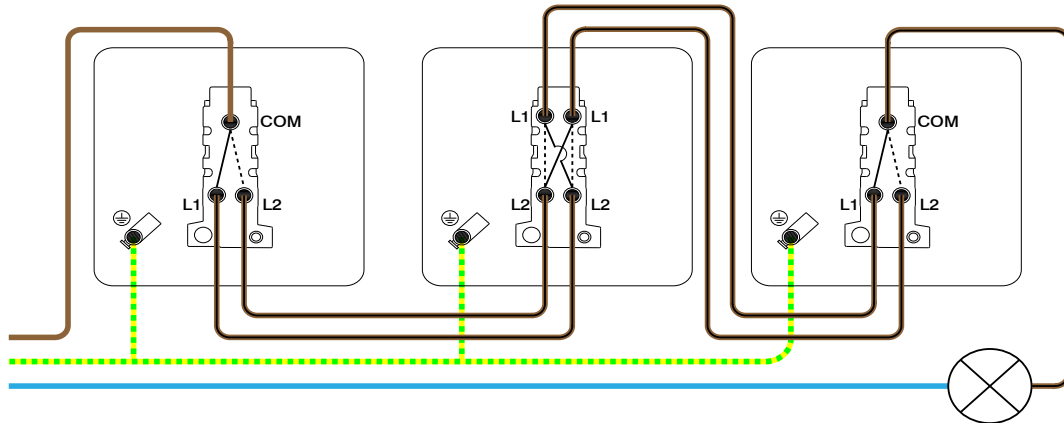
Bell Push Switched Circuit



2 Way Switched Circuit



Intermediate Switched Circuit



Errors & Omissions excluded. Specification is subject to change without notice.

V1.0

Scolmore International Ltd, 1 Scolmore Park, Landsberg, Lichfield Road Ind. Estate, Tamworth, Staffordshire, B79 7XB

Telephone: 01827 63454

E-mail: sales@scolmore.com, technical@scolmore.com

Facsimile: 01827 63362

Website: www.scolmore.com

10A & 10AX Switch Modules

Technical Specification

10A & 10AX Switch Modules

Material Composition	Rocker Switch: Urea or Urea + Stainless Steel Cover (Ingot) Rear Housing: Nylon Terminals: Brass Terminal Screws: Steel & Yellow Passivated Silver “on-lay” Copper / Brass Contacts
Voltage	240V~ 50Hz
Current Rating	10AX (suitable for inductive loads) / 10A
Terminal Size	3.5mm
Torque Value	0.4Nm
Cable Size	4 x 1.5mm ² or 2 x 2.5mm ²
Back Box Depth	16mm - 47mm (Dependant on Mounting Plate Used)
Modular	Yes
Warranty	10 Years
Anti Microbial Certified	Yes (Non Ingot Switches Only)
IP Rating	IP20
Operational Temperature	-5° to +40°C
Standards	The Low Voltage Directive 2006/95/EC BS EN 60669-1:1999 + A1:2002 + A2:2008 Modified ISO 22196

Additional Information

Ensure that the mains supply is isolated before commencing installation.

Bare earth cables must always be covered with appropriate sleeving and wired to the earth terminal.

All white moulded accessories are manufactured using Urea Formaldehyde, which has similar inherent properties to antimicrobial additives that inhibit the growth of infectious diseases. All products were independently tested and achieved a 99.9% kill rate across all four types of the strains of bacteria - MRSA, E-Coli, Salmonella, and Klebsiella Pneumoniae.



DECLARATION OF CONFORMITY

- 1. *Issuer Name* Scolmore International Limited
- 2. *Issuer Address* 1 Scolmore Park, Landsberg,
Lichfield Road Industrial Estate,
Tamworth, Staffordshire, B79 7XB
- 3. *Object(s) of Declaration* MINIGRID Range
 - a. *Group* 10A & 10AX Switches
 - b. *Model No.* MD001, MD002, MD003, MD004, MD005, MD009, MD028, MD029,
MD038, MD070, MD075

4. *The object of the declaration described above is in conformity with the requirements of the following Legislations:*

Document No	Title
2006/95/EC	Low Voltage Directive

5. *All products contained within the aforementioned comply with the relevant standards and requirements listed below.*

EN 60669-1:1999 + A1:2002 + A2:2008

6. *I hereby declare that the equipment named above has been designed to comply with the relevant sections of the above referenced specifications. The unit complies with all applicable Essential Requirements of the Directives.*

In conjunction with the above all manufacture and process controls are in accordance with ISO 9001:2008

Signed, for and on behalf of: Scolmore International Limited

Steven Bettson BSc - Senior Technical Support Engineer

